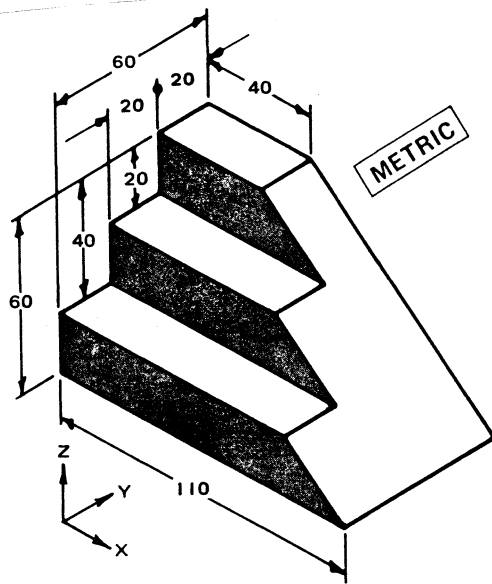
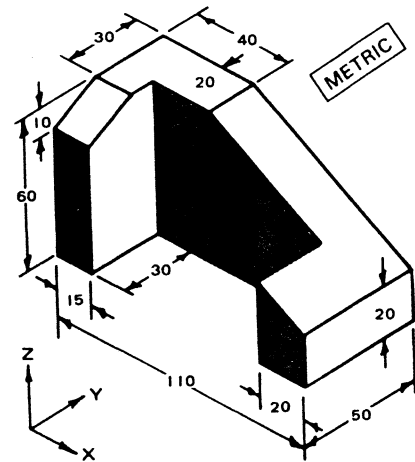


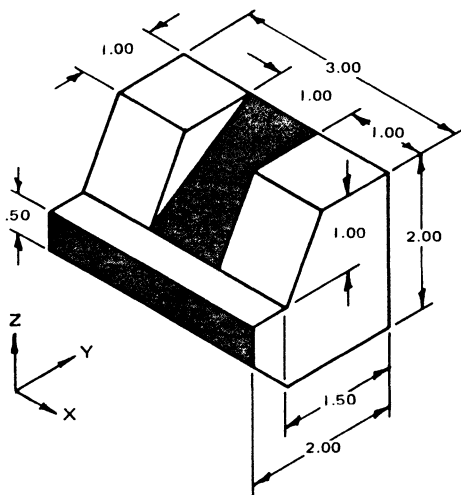
7. On a separate sheet, draw the object shown here.



8. On a separate sheet, draw the object shown here.



9. On a separate sheet, draw the object shown here.



10. On a separate sheet, draw the object shown here.

